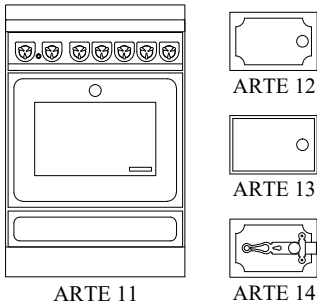
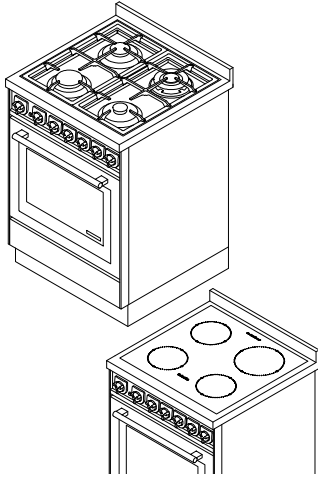


G60**ELECTRIC and GAS COOKERS**

mm 600x600xh860



ARTE 11

ARTE 12

ARTE 13

ARTE 14

Colours:

White, Blue, Green, Grey, Black, Red, Ivory, Rust, Stainless steel

(stainless steel handles D5)

Version Arte 11, 12, 13, 14:

White, Blue, Green, Grey, Black, Red, Ivory, Rust

(choice of knobs: nickel-plated, satin-finished, polished brass)

STANDARD EQUIPMENT:

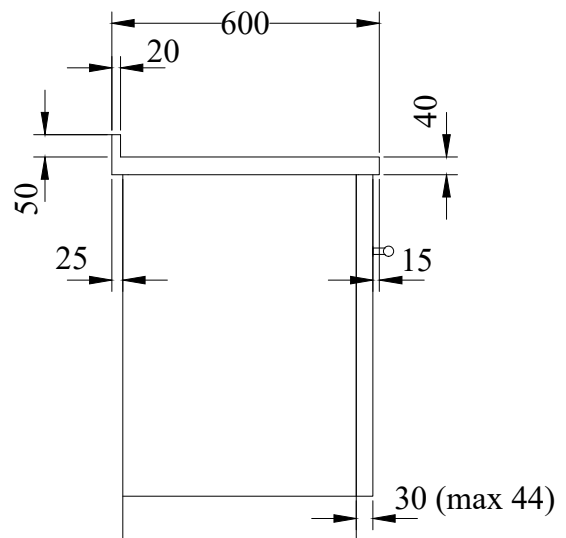
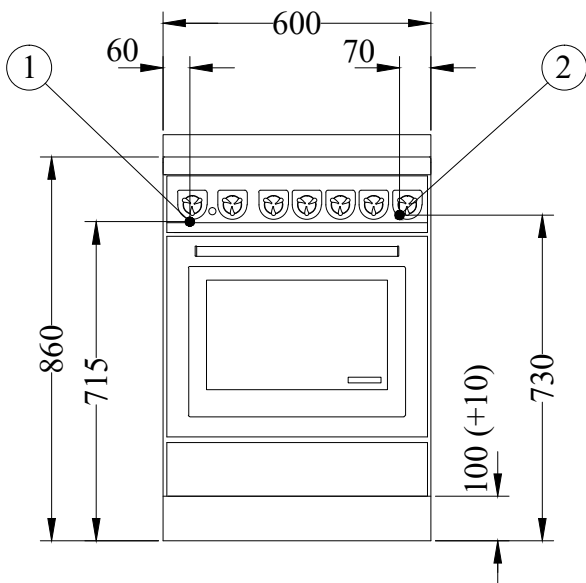
- 4 burners gas cooker
- stainless steel oven door
- safety valves and electric ignition
- electric static/fan-assisted 8 functions oven, mm 460x420xh330, da 2,2 kW 230V
- oven features: 2 grids + 2 baking pan
- stainless steel base h. 100 mm height and depth adaptable
- stainless steel frame of mm 40 (total h860 mm)
- grids in heavy-duty cast-iron

BY REQUEST:

- black oven doors
- electric version with induction cooktop 4 zones:
2 zones \varnothing 160 mm-1,4 kw; 1 zone \varnothing 160 mm-1,4/2 kw; 1 zone \varnothing 200 mm- 2,3 kw
- electric infrared version with ceramic glass cooktop 4 zones:
2 zone \varnothing 144 mm-1,2 kw; 1 zona \varnothing 180 mm-1,8 kw; 1 doppia zona \varnothing 144/230 mm-1/2,5 kw

OPTIONALS:

- front handrail s.steel or brass, 2 or 3 sides
- s.steel hotplate mm 245 x 440

DATA SHEET

Gas burners (kw): 1 small 0.75, 1 medium 1.75, 1 big 3, 1 triple crown 3.6 : Tot. 9,1 kw

Electric oven 2.2 kw

Net weight/packaging included: kg 60/73

1- electrical connection 2,2 kW 230 V

2- gas connection 1/2"